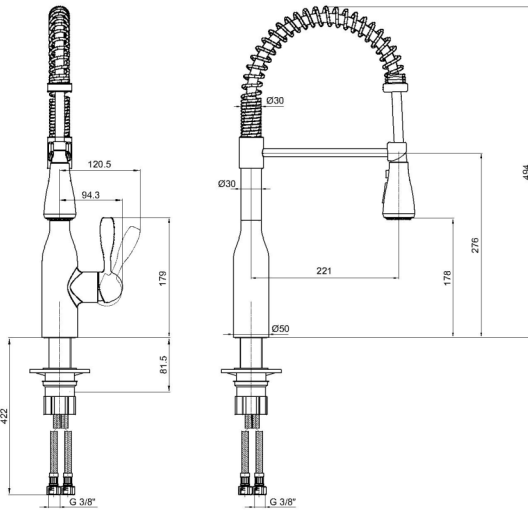




Product Description	
Product Number	406218019EX
Product Name	Sink Mixer
EAN Barcode	8693261081202

Technical Specification	
Aerator	Neoperl Caché CS
Cartridge Type	Ø35 mm Ceramic Cartridge
Min. Water Pressure	0,5 bar
Max. Water Pressure	10 bars
Recommended Water Pressure	3 bars
Nominal Flow Rate @3bars	7,2 l/m
Inlet Water Temperature	5°C - 65°C
Supply Connection	700 mm G 3/8" Flexible Connection Hoses
Finishing	Optic Steel Effect
Body Material	Brass

Product Variants	
406218034EX	Sink Mixer with Liquid Soap Dispenser
406218019xx	xx Localization Product Number



Flow Rate Chart

