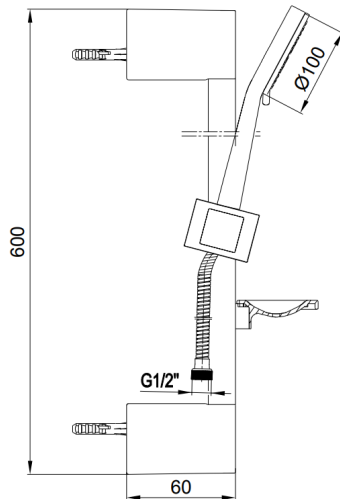


**E.C.A. NOBILIS SLIDING RAIL HAND SHOWER SET**

**Product Description**

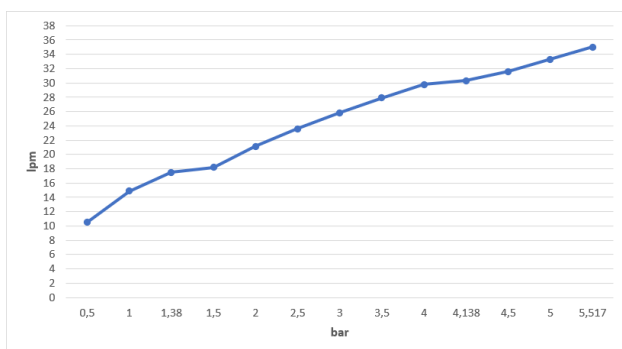
|                |   |
|----------------|---|
| Product Number | 102846011EX   |
| Product Name   | Three Functions Sliding Rail Hand Shower Set with Soap Holder |
| EAN Barcode    | 8693261069729   |

**Technical Specification**

|                                |  |
|--------------------------------|--|
| Connection Hose                | 1,5 m Anti-twist Clamped Flexible Hose |
| Head Sizes of Hand Shower      | Ø100 mm                                |
| Positioning of Hand Shower Set | Vertically Moveable Bar                |
| Flow Regime                    | 3 Different Flow Type Options          |
| Flow Type Selection            | Rotary Adjusting Water Outlet          |
| Min. Water Pressure            | 0,5 bar                                |
| Max. Water Pressure            | 10 bars                                |
| Recommended Water Pressure     | 3 bars                                 |
| Nominal Flow Rate @3bars       | 25,8 l/m                               |
| Inlet Water Temperature        | 5°C - 65°C                             |
| Supply Connection              | G 1/2" Thread                          |
| Finishing                      | Gold Effect                            |
| Body Material                  | Brass & Plastic                        |

**Product Variants**

|             |                                |
|-------------|--------------------------------|
| 102846011xx | xx Localization Product Number |
|-------------|--------------------------------|

**Flow Rate Chart**


January 2021

We reserve the right to alter product specification and colors and to make technical modifications without prior notice.

[www.ECA.com.tr](http://www.ECA.com.tr)